

HYDROLIFT **S2** MOBILE COLUMN TRUCK LIFTS

WIRELESS
BATTERY
OPERATIONS

The Blitz logo is displayed in white on a black background. It features the word "Blitz" in a bold, italicized, sans-serif font, with a registered trademark symbol (®) to its upper right. Below the word "Blitz" are three horizontal lines of varying lengths, creating a stylized underline.

BlitzRotary.com

SAFETY

BLITZ-PRODUCTS ARE WELL KNOWN FOR THEIR ESPECIALLY HIGH SAFETY STANDARDS. THE NEW HYDROLIFT S2 IS NO EXCEPTION IN THIS REGARD. A MULTITUDE OF DETAILED SOLUTIONS ENSURES SAFE WORKING.

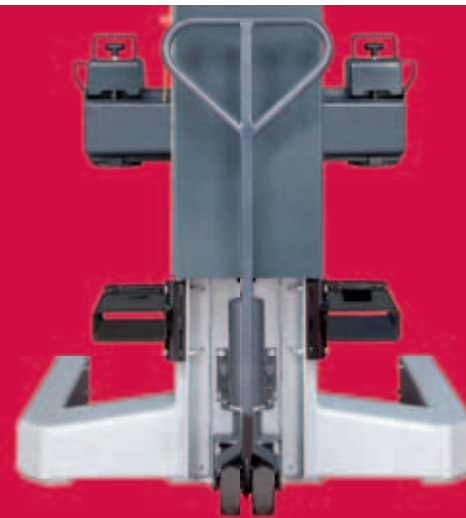
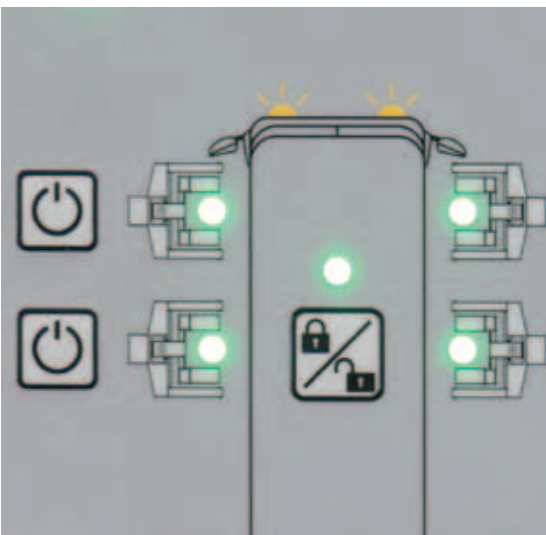


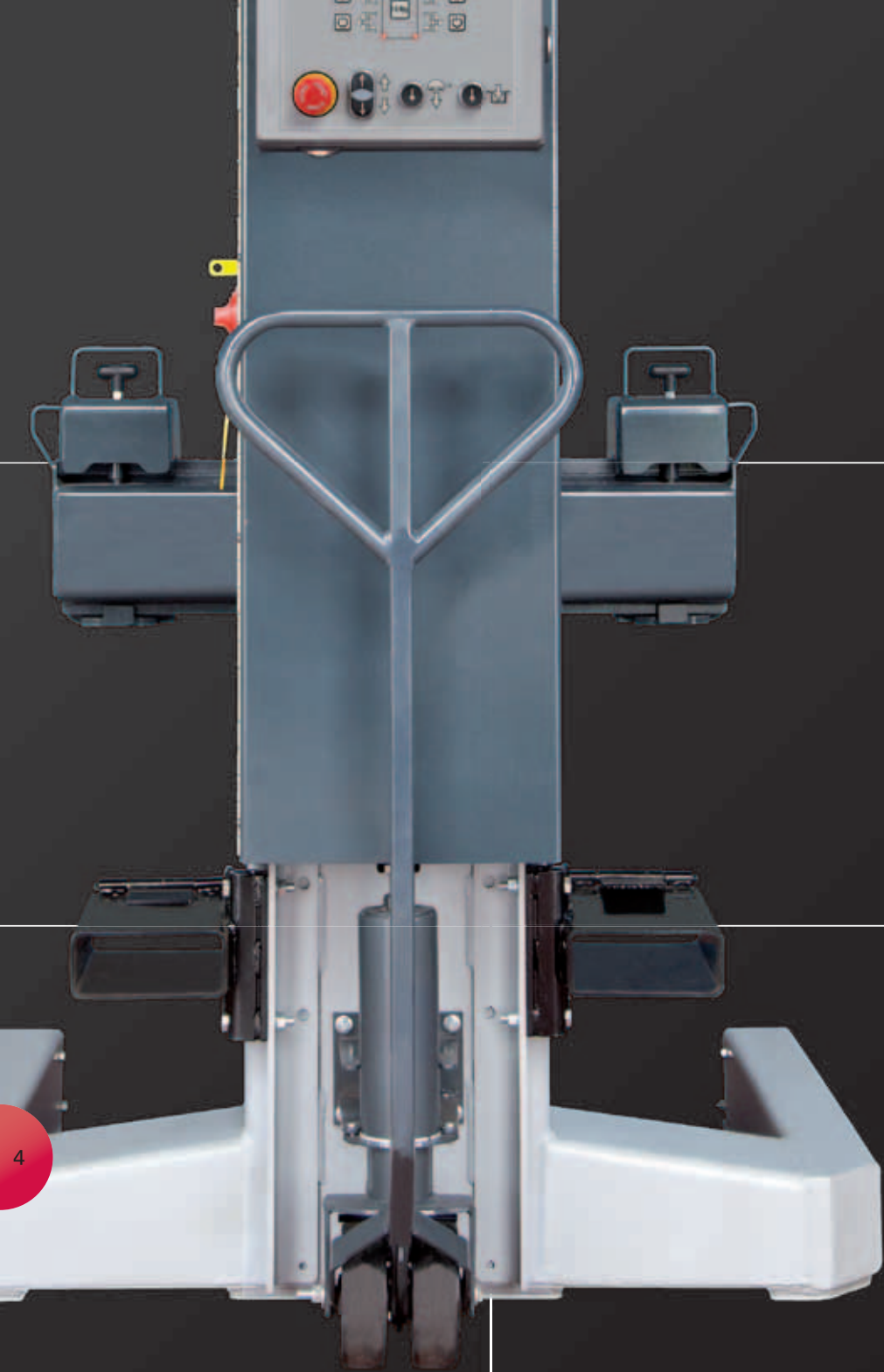
LARGE-SCALE PRODUCTION A culture of continuous quality in production is a decisive factor in providing safe and reliable products. We lay the foundation for this in our ISO-certified production plants worldwide.

CLEAR CONTROL Safe operation is facilitated by simple and intuitive controls. Plain pictograms help to operate HYDROLIFT S2 safely. And LEDs give clear feedback regarding the current operating status. We have consciously dispensed with an LCD display but still provide operational status information that is visible even from a distance.

STURDY CONSTRUCTION Sturdy. Reliable. Safe. Three simple words that help to describe the constructive core of the HYDROLIFT S2 best.

EMERGENCY STOP AT EACH LIFTING UNIT You will probably never use the emergency stop. However, it is good to know that there is one on each lifting column. Thereby we ensure, that just in case, all lifting units stop at the same time.





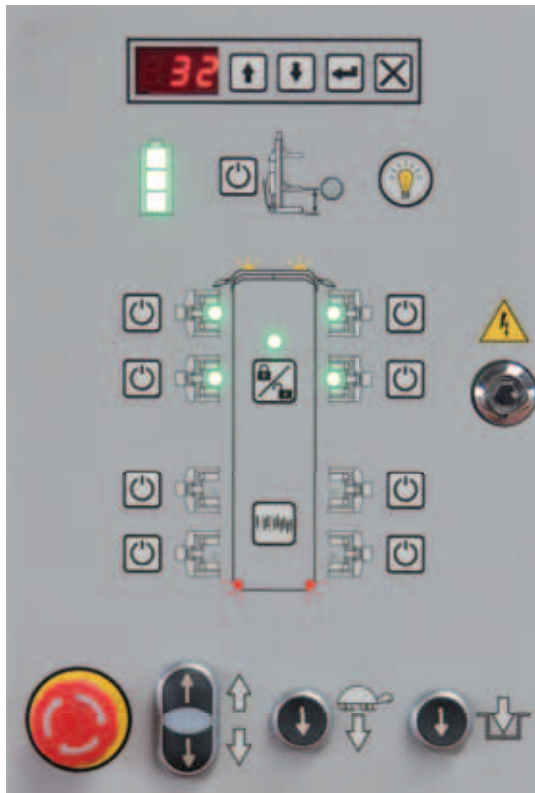
ERGONOMICS

CAREFUL CONSIDERATION OF ERGONOMIC ASPECTS ENSURE EFFICIENT AND SAFE WORKING. FEEDBACK COLLECTED FROM END-USERS ALLOWED US TO ADDRESS ISSUES THAT SLOW SET UP AND HINDER EFFICIENT OPERATIONS.



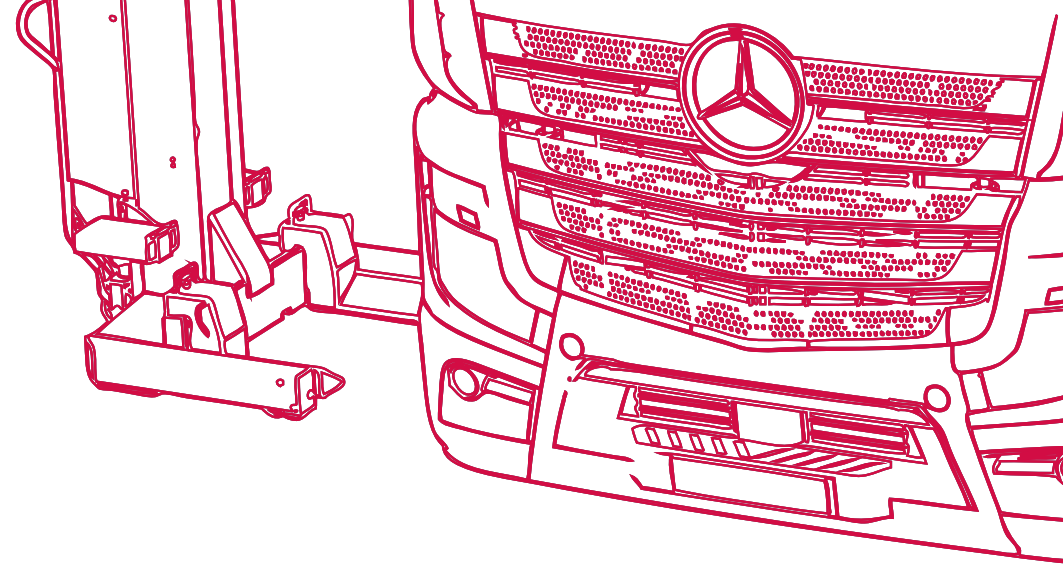
QUICKFIT SETUP A work BAY can be arranged especially fast with the HYDROLIFT S2:

1. Position and activate necessary lifting units. 2. Push the synchronisation button - ready!



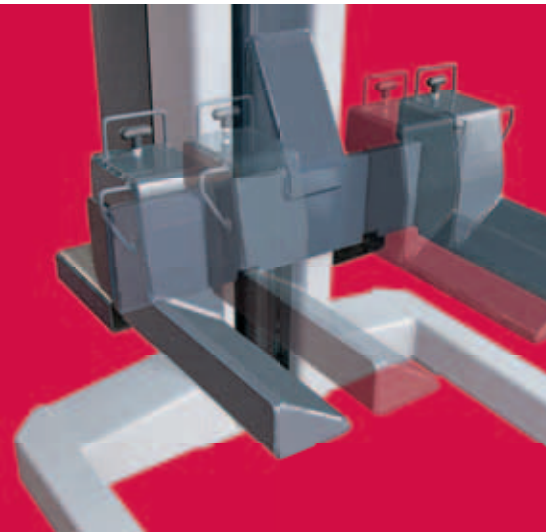
SET UP AND OPERATION Everything at a glance. Operational controls on every column mean you have maximum flexibility when operating the HYDROLIFT S2.

FORK LIFT ADAPTER A small detail with a great effect. The removable fork pockets, allow the columns to be transported safely and easily over longer distances within the workshop, or to create a temporary work bay outside.



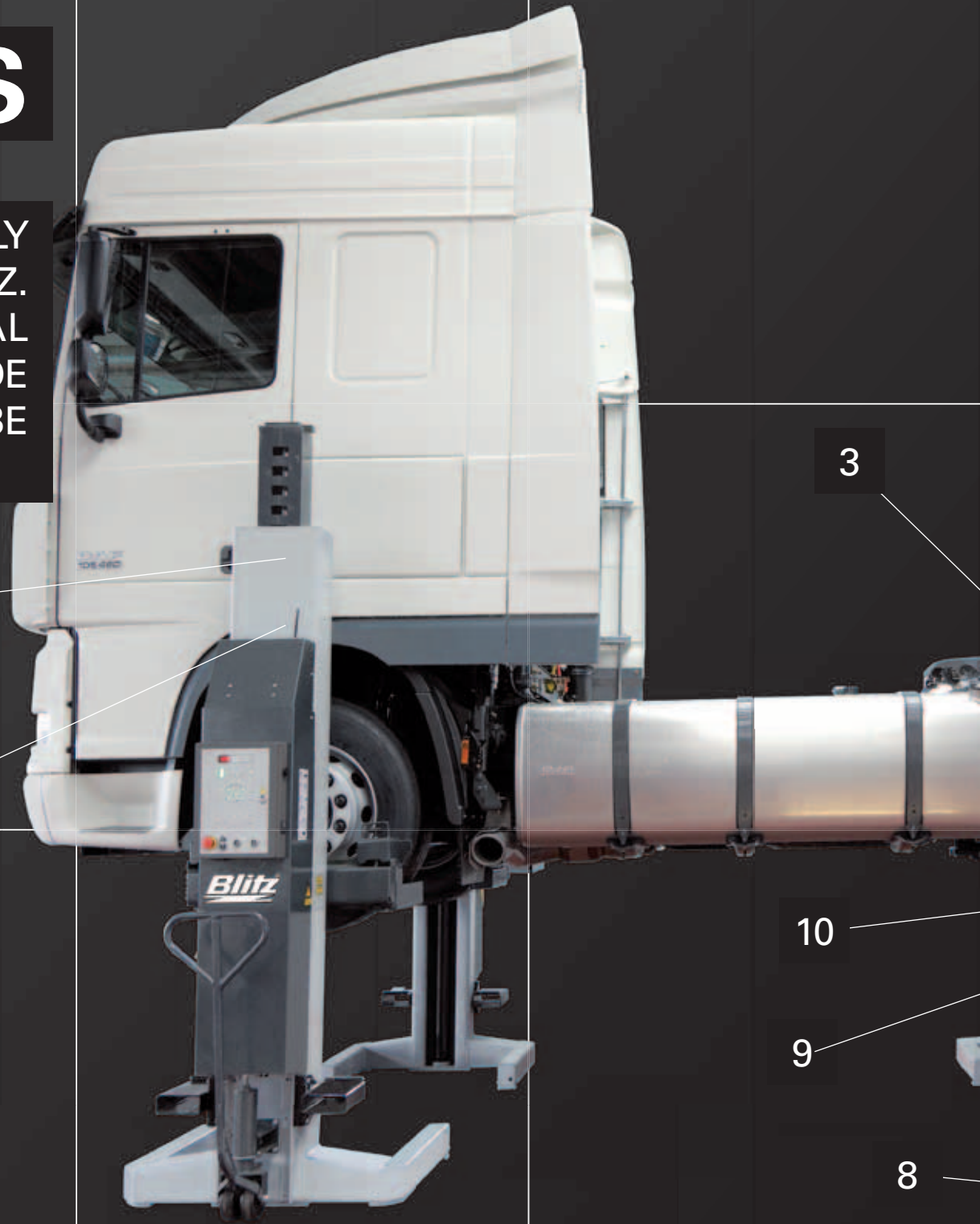
VARIO-FORK The unique construction of the new VARIO-FORK accommodates different sizes of wheels: from R10 to R22.5 – also Super Single of course. – without the need for additional adaptors.

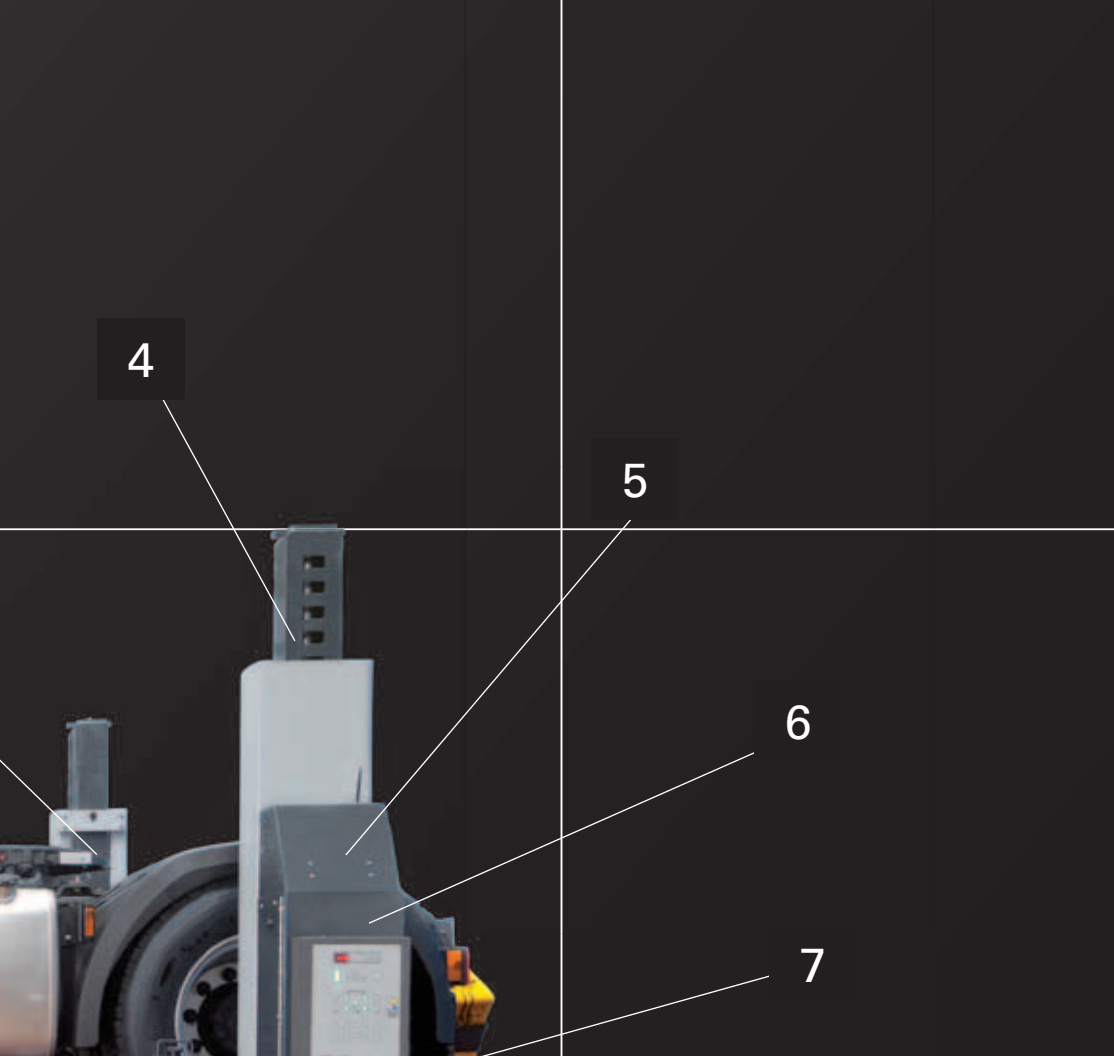
EASY DRIVE We were able to reduce the amount of effort required to move the columns, considerably by utilizing glass-fibre-reinforced light-weight rollers. The arrangement of the work bay is literally child's play – not only on flat and clean workshop floors.



FEATURES

FLEXIBILITY AND MOBILITY FEATURE HEAVILY IN MOBILE COLUMN LIFTS MADE BY BLITZ. WITH THE HYDROLIFT S2 AN ADDITIONAL WORK BAY IS CREATED. FREE AREAS – INSIDE THE WORKSHOP OR EVEN OUTSIDE – CAN BE USED.





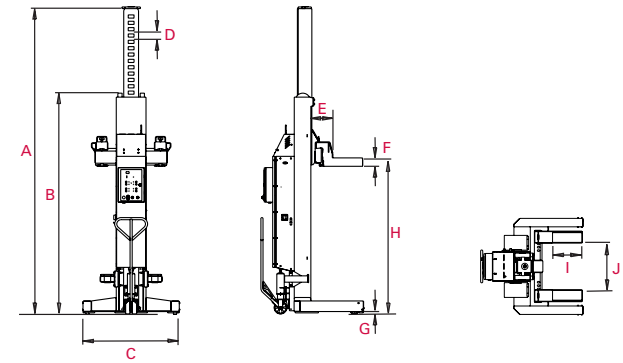
■ **1. WIRELESS** Communication between the individual lifting units is wireless on the basis of the IEEE 802.15.4 standard. ■ **2. EXPANDABILITY** The modular construction allows a subsequent expansion from 4 to 6 or 8 lifting units. ■ **3. HYDRO-PROTECT** The lifting cylinder is enclosed by a sturdy steel tube. This is to avoid permeation of dust, dirt, moisture, weld spatter, and grinding sparks. The motor and the hydraulic units are completely covered as well. ■ **4. DOUBLE LOAD PROTECTION** There are two safety measures available, a stepless hydraulic protection with a cut-off valve and a self-locking mechanic protection with a safety latch. ■ **5. BATTERY OPERATION** The large dimensions of the battery allow up to 15 liftings and lowerings at full load. ■ **6. INTEGRATED** charger allows to charge the battery during use of the HYDROLIFT S2. One hour of quick charge allows another complete lifting/lowering cycle. ■ **7. EASY TO MAINTAIN** Easily accessible hydraulic hoses. Software updates via SD-card. ■ **8. SAFETY-LOCKING BRAKE** As part of the automatically deflecting steering carriage, the locking brake holds the column in place. ■ **9. SYNCHRONISATION CONTROL** Guarantees absolute synchronization of all lifting units of course even in case of different loads. The system deviation in that case is only 13 mm. ■ **10. FS-PROFILE** The unique FS-profile offers optimal protection of the wheel hub. The design is universal and does not depend on the type of vehicle.



LISTENING TO THE VOICE OF THE CUSTOMER We pay attention to our customers' opinion. Ideas and product details have therefore been gathered in Leaduser workshops.



		HYDROLIFT S2 4-8,2	HYDROLIFT S2 6-8,2	HYDROLIFT S2 8-8,2
	LIFTING CAPACITY	4 X 8,2T	6 X 8,2T	8 X 8,2T
	LIFTINGTIME	78 S	78 S	78 S
	LOWERINGTIME	54 S	54 S	54 S
	ELECTRIC MOTOR	3 KW	3 KW	3 KW
A	MAX. HEIGHT	3678 MM	3678 MM	3678 MM
B	HEIGHT	2590 MM	2590 MM	2590 MM
C	WIDTH	1156 MM	1156 MM	1156 MM
D	GRID SPACE	76 MM	76 MM	76 MM
E	SAFETY CLEARANCE COLUMN/VEHICLE	254 MM	254 MM	254 MM
F	FORK HEIGHT	101 MM	101 MM	101 MM
G	DRIVE OVER HEIGHT	32 MM	32 MM	32 MM
H	RISE	1753 MM	1753 MM	1753 MM
I	ACCEPTANCE LENGTH OF FORK	355 MM	355 MM	355 MM
J	MAX. WIDTH OF FORK	560 M	560 M	560 M
	WEIGHT PER LIFTING UNIT	720 KG	720 KG	720 KG



Further information on:
BlitzRotary.com



BlitzRotary GmbH
Hüfänger Straße 55
D-78199 Bräunlingen
Telephone +49.771.9233.0
Fax +49.771.9233.99
info@blitzrotary.com
www.blitzrotary.com

