

TECHNIQUE T2020-2D Wheel Balancer

The Technique T2020-2D is a low speed balancer with all of the features and benefits of a 'High end' machine. The Backlit LCD screen with multifunctional and interactive keys makes it clear and easy for the operator to use. The compact design means that the T2020-2D takes up very little space in the workshop. The 2D calliper arm automatically stores the distance and diameter measurements and makes it easy to position the weights directly into place.

- **Motorised wheel balancer.**
- **Automatic 2D caliper arm rim diameter/distance.**
- **Brake Pedal-operated main shaft lock.**
- **Low rotation speed.**
- **Automatic ALU S programme.**
- **Backlit LCD display with multi-functional and interactive keys.**
- **Easy start by closing wheel guard or pressing the start key and auto stop.**
- **Brake to keep the wheel in position while fitting the weights.**

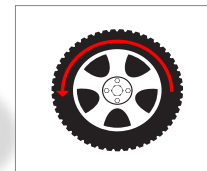
Rim Diameter	10" - 26" Automatic / 10" - 30"
Rim Width	1.5" - 22"
Max Wheel Weight	65kg
Read-out Accuracy	1g
Cycle Time	6 seconds
Rotation Speed (RPM)	< 100
Power Supply	110-230v / 50-60/1ph
Standard Accessories Kit Included: Standard Cones(x4), hand-wheel quick fit clamps, pliers, wheel width calliper and 4WD cone adaptor.	



Auto distance and diameter measurement.



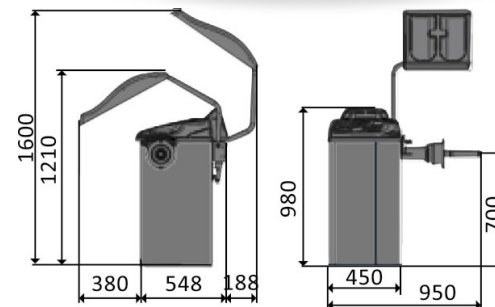
Hidden weight mode.



Rim and tyre optimisation.



Backlit graphical LCD display.



WANT TO FIND OUT MORE? GET IN TOUCH WITH US TODAY!



(01295) 768373



enquiries@bullworthy.co.uk



www.bullworthy.co.uk