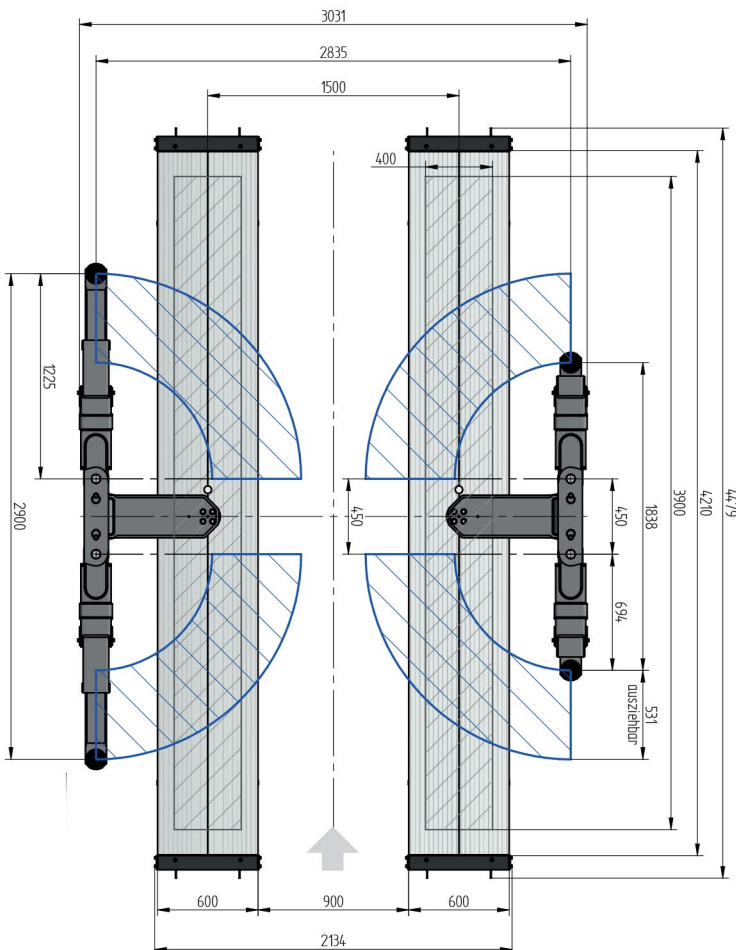
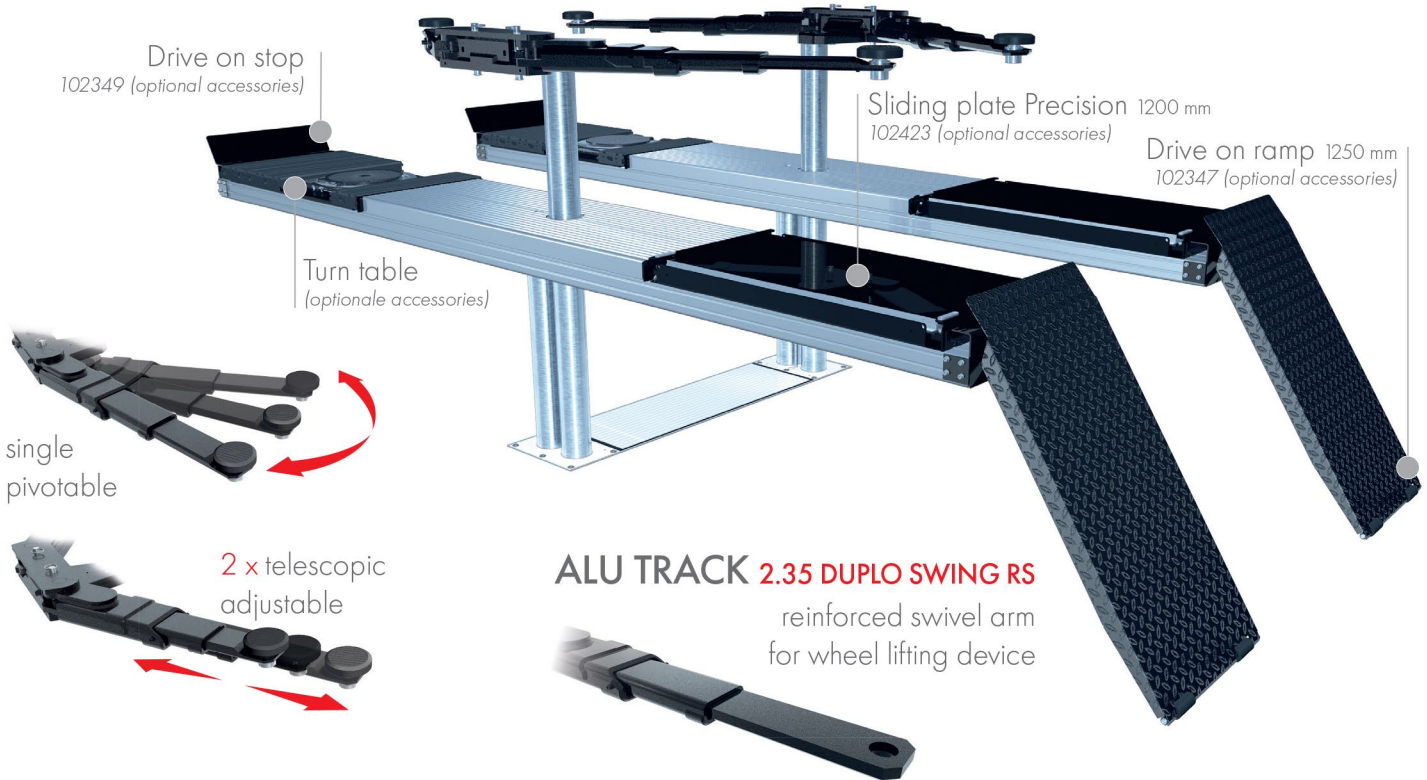


SURFACE MOUNTED



TECHNICAL DATA

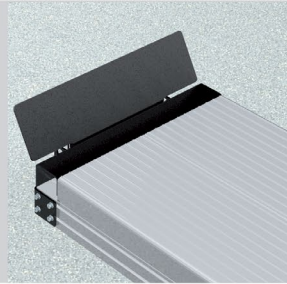
capacity	3500 kg
wheel free lift	3500 kg
effect. raise height platform	2008 mm
effect. raise height wheel free unit	2000 mm
platform length	4400 mm
platform height	180 mm
move in height wheel free unit	90 mm
piston diameter	123 mm
piston distance	1500 mm
installation depth	2443 mm
motor output	3,0 kW
power connector	400 V/16 A
cable length to control	11 m
lifting time	≈ 35 sec.
lowering time	≈ 35 sec.

Platform support Alu Track 2.35 Duplo with platform notches for turn tables and sliding plates	105244
Platform support Alu Track 2.35 Duplo	105336
Support Swingarm 2.35-1500	111579
Support Swingarm 2.35 RS-1500	112128
Installation cassette STEEL 1500 mm	2190XX
Installation cassette STEEL 1500 mm galvanized	2191XX
Lifting unit oil 3,5 t Duplo 1500 mm - K pre-assembled in installation cassette	111599
Lifting unit oil 3,5 t Duplo 1500 mm - H packed in wooden box	111600
Lifting unit oil 3,5 t Duplo 1500 mm - K for wheel free system, pre-assembled in installation cassette	111601
Lifting unit oil 3,5 t Duplo 1500 mm - H for wheel free system, packed in wooden box	111602

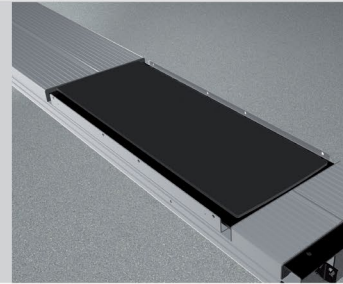
ACCESSORIES



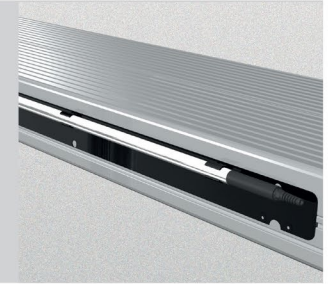
Drive on ramp
1250 mm
102347



Drive on stop
102349



Sliding plate
Precision 1200 mm
102423



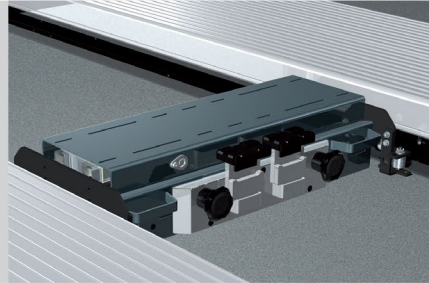
Lighting
LED
111598



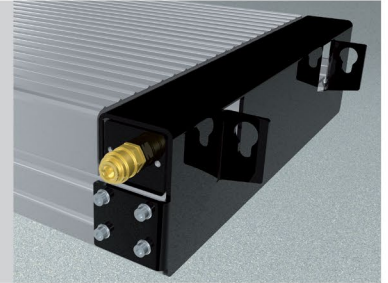
Slide rail
4400 mm
102374



Wheel alignm. supp.
1350 mm 600 mm
102377 102381



Axle lifter 2600 kg
pneumatic, without slide rails
105063



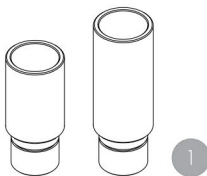
Compressed air supply
102407



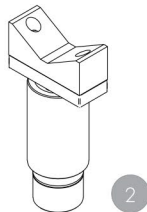
Wheel lifting device
(1 set / 4 pcs.)

GA490 GA550
ø wheel 590 - 690 mm ø wheel 670 - 770 mm
112051 112052

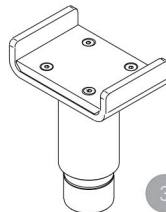
Mounting adapter
Swingarm RS
(1 set / 4 pcs.)
112145



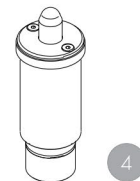
1 Stacking adapter extension
89 mm 127 mm
d 50 x 89 mm d 50 x 127 mm
109679 (1Set / 4 Pc.) 109680 (1Set / 4 Pc.)



2 Stacking adapter V-shape
d 50 / 87 - 130 mm
112107 (1Set / 4 Pc.)



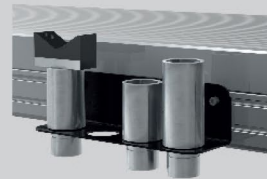
3 Stacking adapter U-form
d 50
110397 (1Set / 4 Pc.)



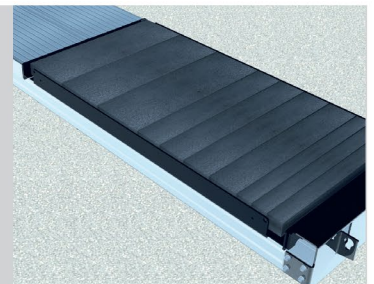
4 Stacking adapter NCV3
d 50 / 115 - 215 mm
112100 (1Set / 2 Pc.)



pushAdapter
(1 set / 4 pcs.)
1112530



Bracket for stacking-adapter extension
111578



Rubber elements 600 mm
50 mm 100 mm 200 mm
111677 111678 111679