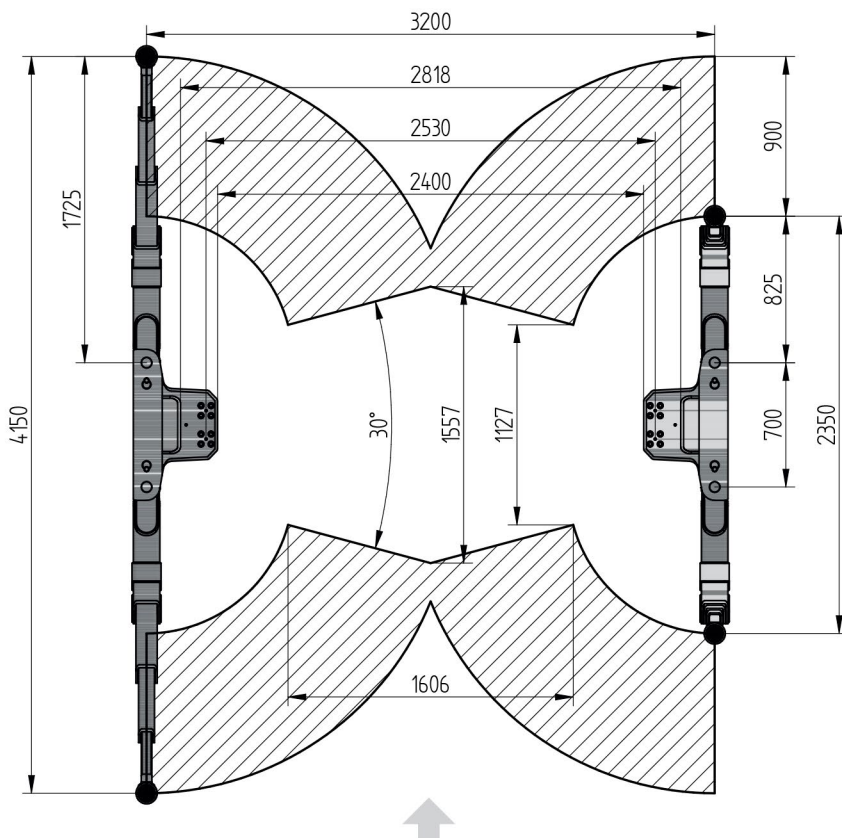
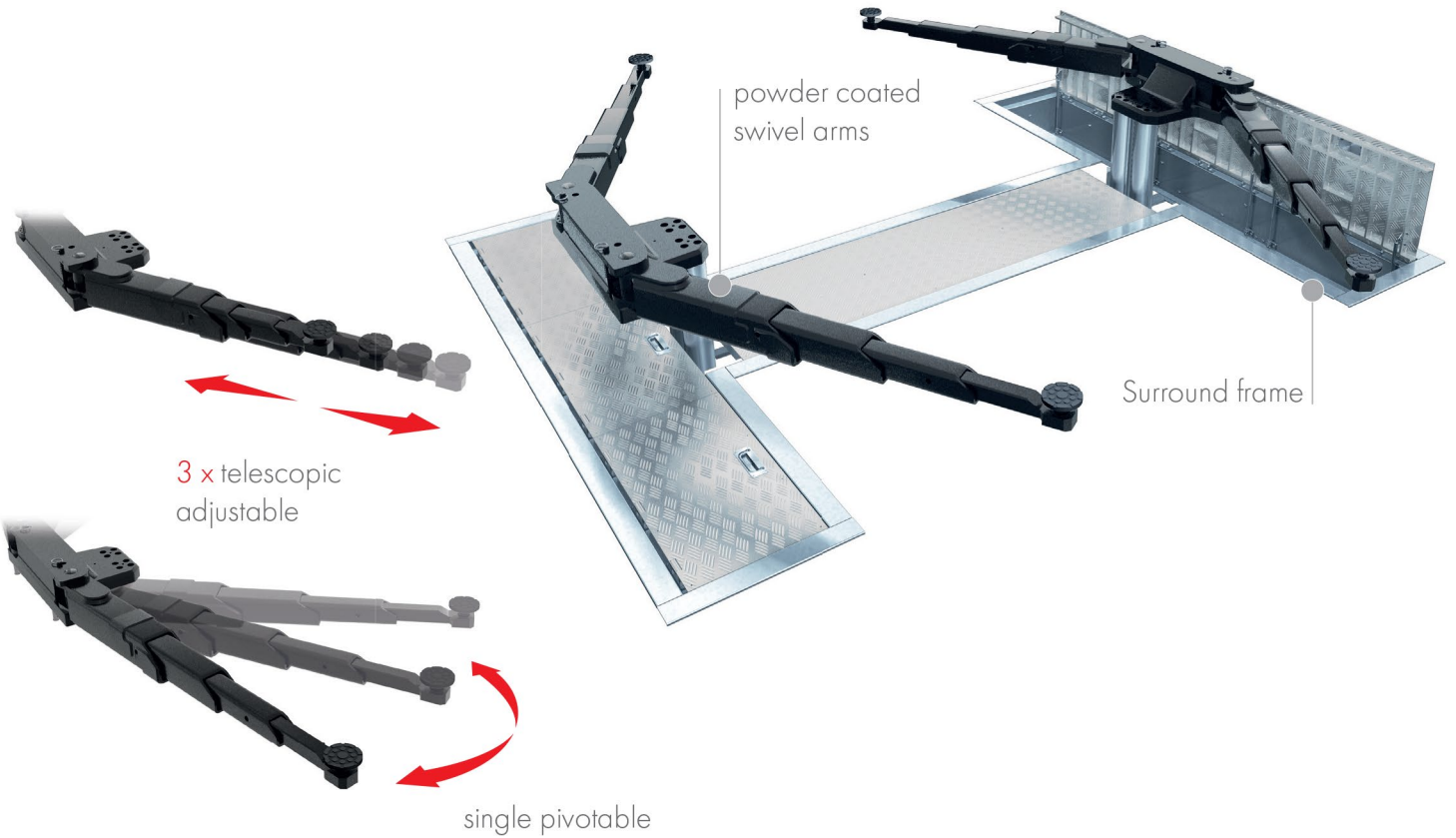


FLUSH MOUNTED

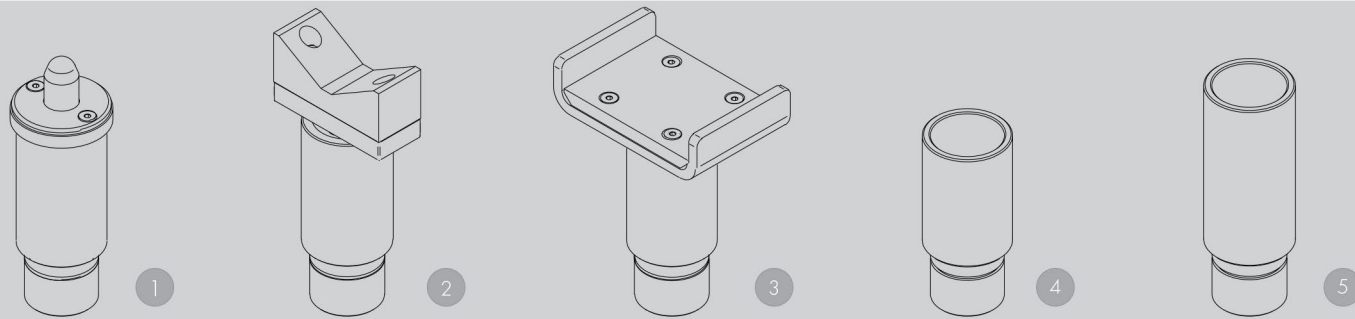


TECHNICAL DATA

Capacity	5500 kg
Move in height	120 mm
Piston diameter	123 mm
Piston distance	2530 mm
Motor output	3,0 kW
Power connector	400 V/16 A
Cable length to control	11 m
Lifting time	≈ 45 sec.
Lowering time	≈ 45 sec.

Support Duplex 4.55	112121
Installation cassette STEEL 2530 mm	2330XX
Installation cassette STEEL 2530 mm galvanized	2331XX
Lifting unit oil 5,5 t Duplex 2530 mm - K pre-assembled in installation cassette	111350
Lifting unit oil 5,5 t Duplex 2530 mm - H packed in wooden box	111351
Surround frame Duplex 2530	111585

ACCESSORIES



1 Stacking adapter NCV3
d 50 x d 70 / 115-215 mm
112100 (1 set / 2 pcs.)

3 Stacking adapter U-form
d 50
110397 (1 set / 4 pcs.)

5 Stacking adapter extension
127 mm
109680 (1 set / 4 pcs.)

2 Stacking adapter V-prism
d 50 / 87-130 mm
109683 (1 set / 2 pcs.)

4 Stacking adapter extension
89 mm
109679 (1 set / 4 pcs.)



pushAdapter
ø 50 mm (1 set / 4 pcs.)
can only be used together
with a top connector

Easy
1112703

Bracket for stacking-
adaptor extension
111578