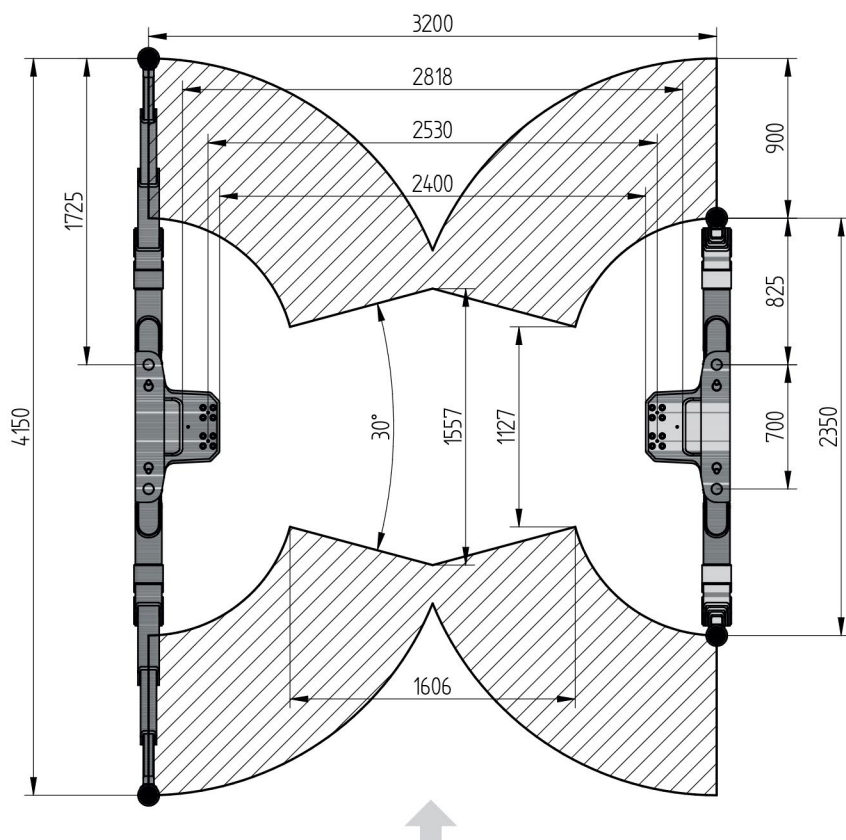
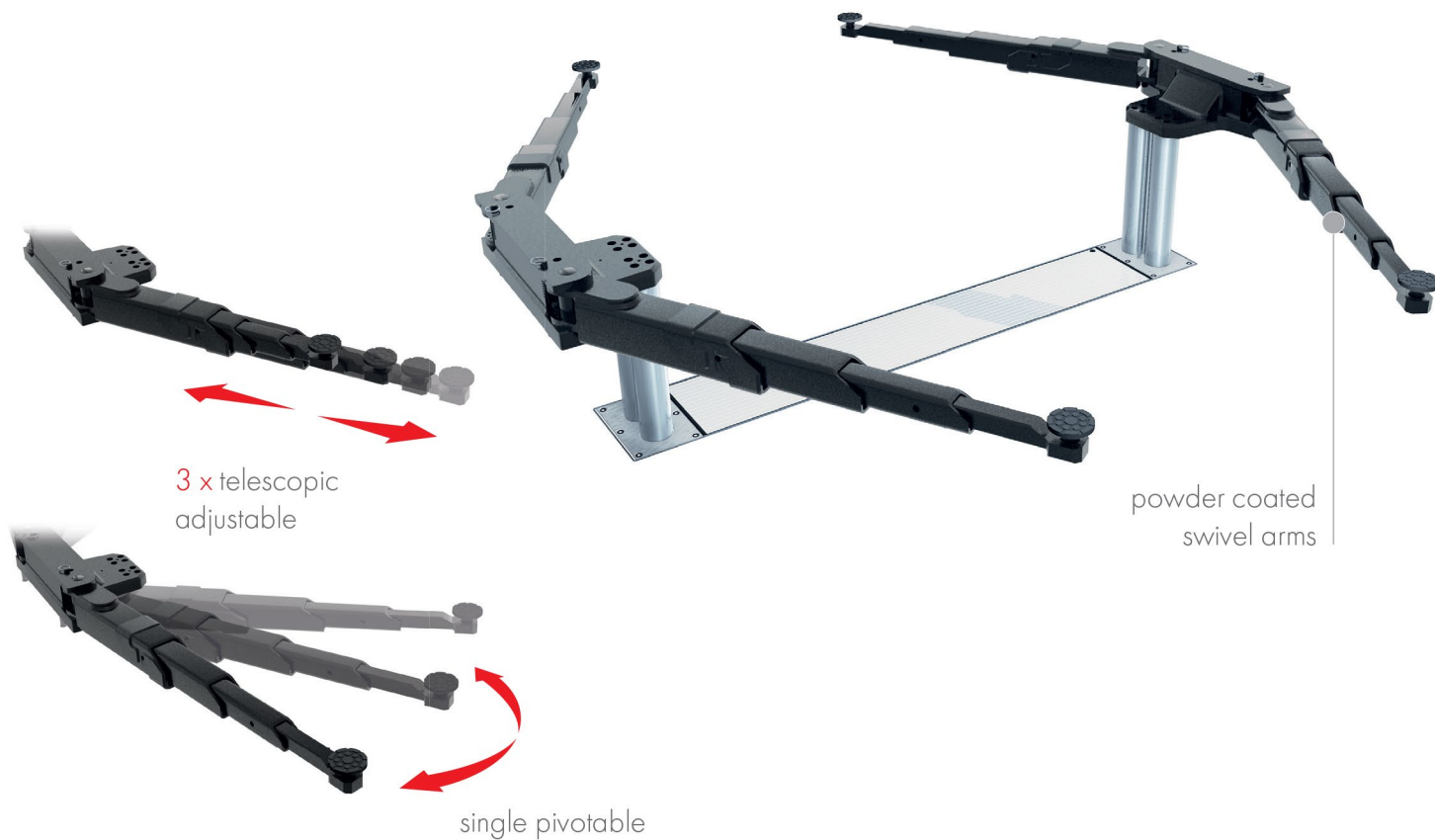


## SURFACE MOUNTED

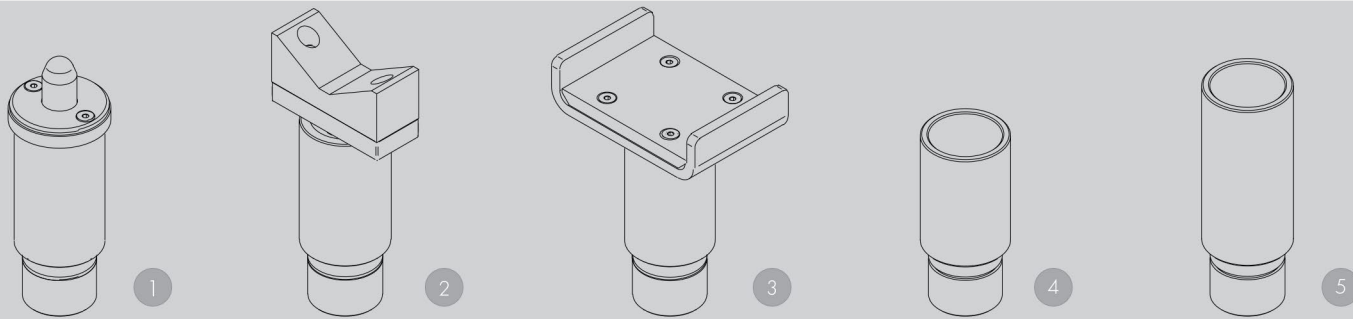


## TECHNICAL DATA

Capacity	5500 kg
Effective raise height	2074 mm
Move in height	120 mm
Piston diameter	123 mm
Piston distance	2530 mm
Installation depth	2408 mm
Motor output	3,0 kW
Power connector	400 V/16 A
Cable length to control	11 m
Lifting time	≈ 45 sec.
Lowering time	≈ 45 sec.

Support Duplex 4.55	112121
Installation cassette STEEL 2530 mm	2330XX
Installation cassette STEEL 2530 mm galvanized	2331XX
Lifting unit oil 5,5 t Duplex 2530 mm - K pre-assembled in installation cassette	111350
Lifting unit oil 5,5 t Duplex 2530 mm - H packed in wooden box	111351

## ACCESSORIES



**1** Stacking adapter NCV3  
d 50 x d 70 / 115-215 mm  
112100 (1 set / 2 pcs.)

**2** Stacking adapter V-prism  
d 50 / 87-130 mm  
109683 (1 set / 2 pcs.)

**3** Stacking adapter U-form  
d 50  
110397 (1 set / 4 pcs.)

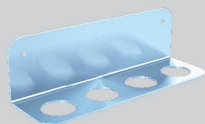
**4** Stacking adapter extension  
89 mm  
109679 (1 set / 4 pcs.)

**5** Stacking adapter extension  
127 mm  
109680 (1 set / 4 pcs.)



pushAdapter  
ø 50 mm (1 set / 4 pcs.)  
can only be used together  
with a top connector

Easy  
1112703



Bracket for stacking-  
adapter extension  
111578