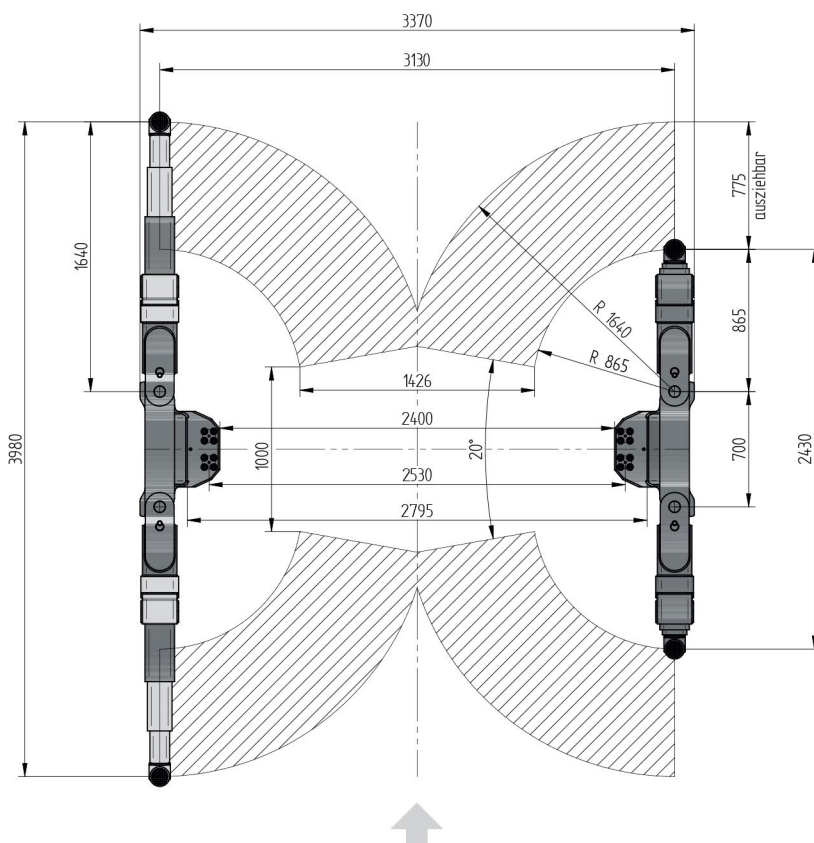
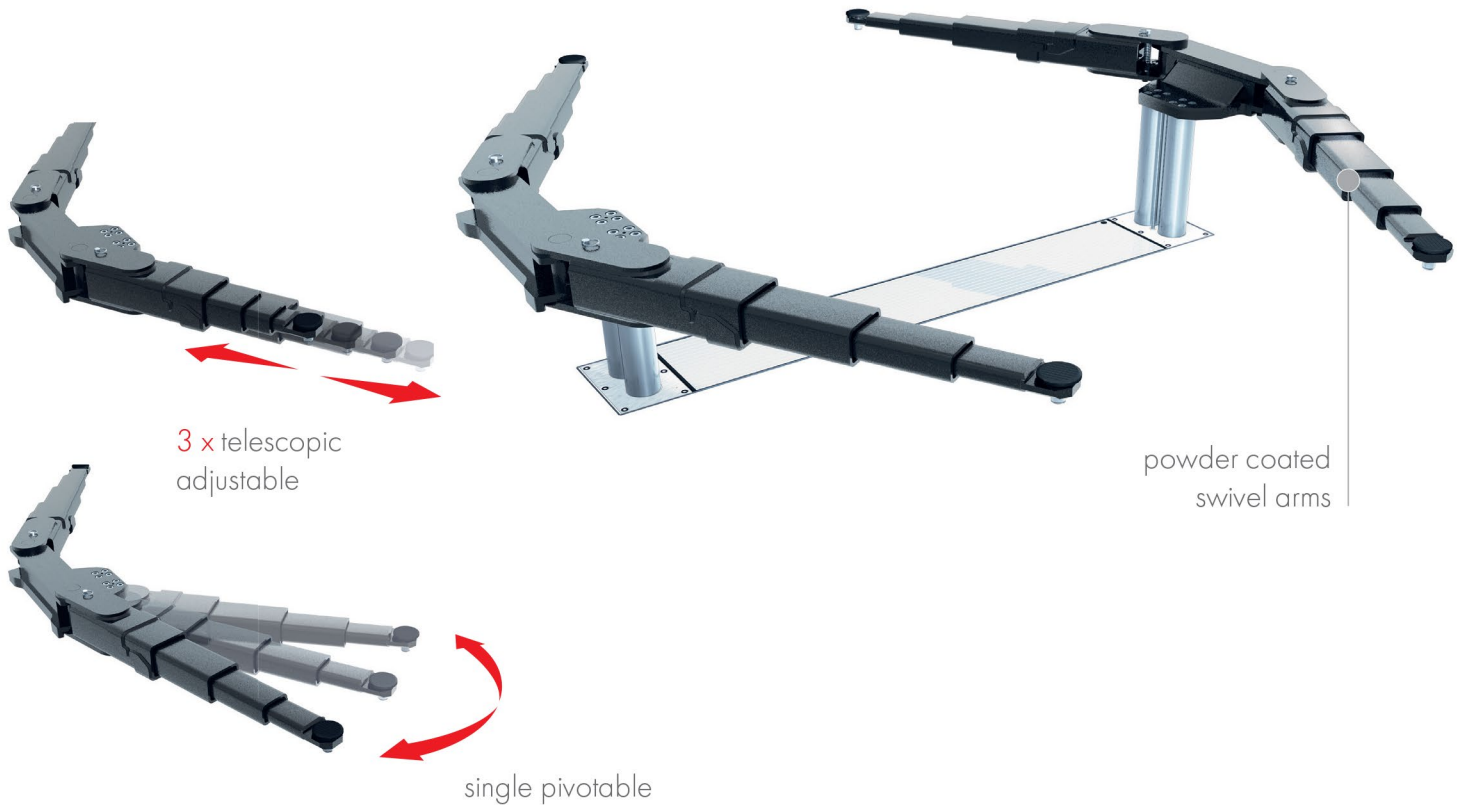


SURFACE MOUNTED

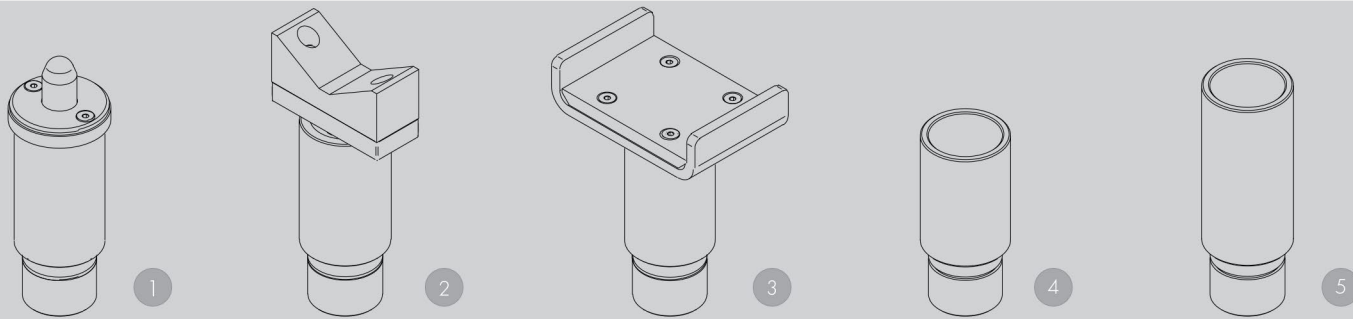


TECHNICAL DATA

Capacity	6500 kg
Effective raise height	2069 mm
Move in height	150 mm
Piston diameter	123 mm
Piston distance	2530 mm
Installation depth	2408 mm
Motor output	3,0 kW
Power connector	400 V/16 A
Cable length to control	11 m
Lifting time	≈ 45 sec.
Lowering time	≈ 45 sec.

Support Duplex 4.65	112018
Installation cassette STEEL 2530 mm	2330XX
Installation cassette STEEL 2530 mm galvanized	2331XX
Lifting unit oil 6,5 t Duplex 2530 mm - K pre-assembled in installation cassette	111588
Lifting unit oil 6,5 t Duplex 2530 mm - H packed in wooden box	111589

ACCESSORIES



1 | Stacking adapter NCV3
d 50 x d 70 / 115-215 mm
112100 (1 set / 2 pcs.)

3 | Stacking adapter U-form
d 50
110397 (1 set / 4 pcs.)

5 | Stacking adapter extension
127 mm
109680 (1 set / 4 pcs.)

2 | Stacking adapter V-prism
d 50 / 87-130 mm
109683 (1 set / 2 pcs.)

4 | Stacking adapter extension
89 mm
109679 (1 set / 4 pcs.)



pushAdapter
ø 50 mm (1 set / 4 pcs.)
can only be used together
with a top connector

Easy
1112703



Bracket for stacking-
adapter extension
111578