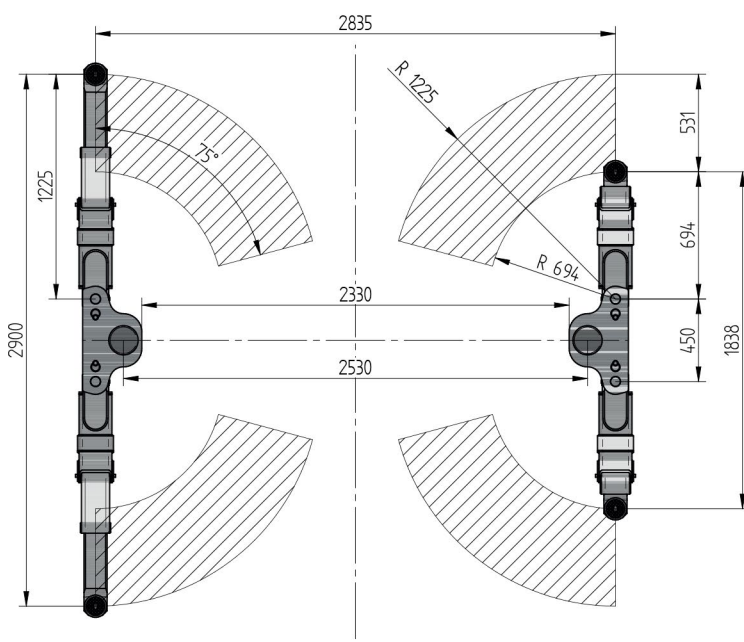
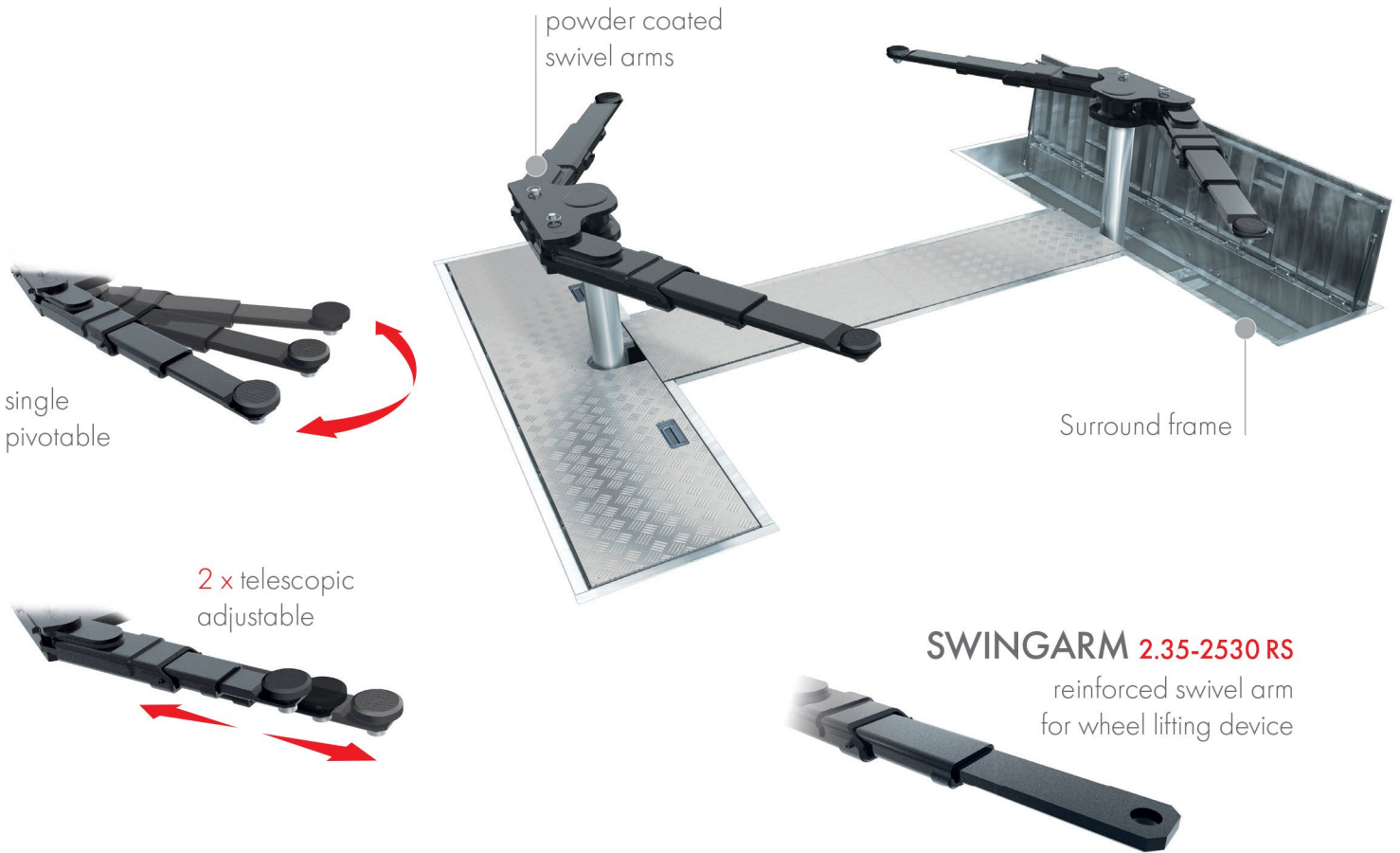


FLUSH MOUNTED



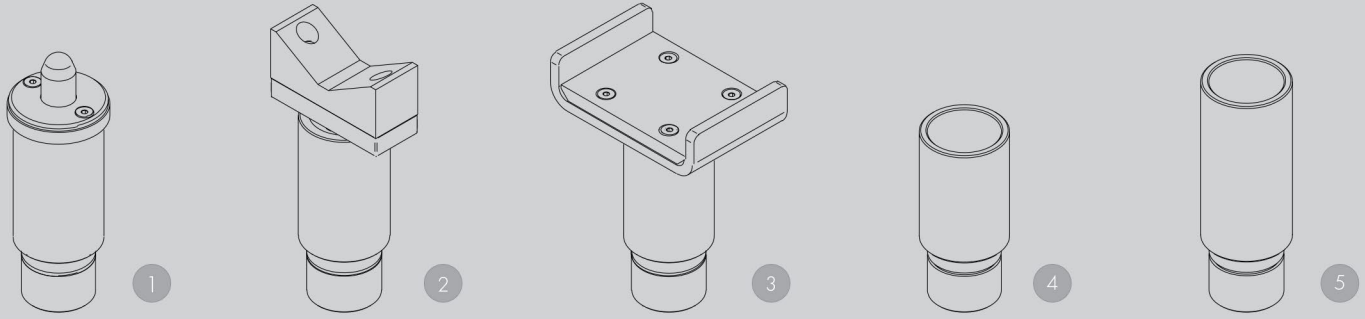
TECHNICAL DATA

Capacity	3500 kg
Move in height	90 mm
Piston diameter	123 mm
Piston distance	2530 mm
Motor output	3,0 kW
Power connector	400 V/16 A
Cable length to control	11 m
Lifting time	≈ 35 sec.
Lowering time	≈ 35 sec.

Support Swingarm 2.35	109229
Support Swingarm 2.35 reinforced	111590
Installation cassette STEEL 2530 mm	2020XX
Installation cassette STEEL 2530 mm galvanized	2021XX
Lifting unit oil 3,5 t 2530 mm - K pre-assembled in installation cassette	110114
Lifting unit oil 3,5 t 2530 mm - H packed in wooden box	110115
Surround frame Swingarm 2530	111549



ACCESSORIES



1 Stacking adapter NCV3
d 50 x d 70 / 115-215 mm
112100 (1 set / 2 pcs.)

2 Stacking adapter V-prism
d 50 / 87-130 mm
109683 (1 set / 2 pcs.)

3 Stacking adapter U-form
d 50
110397 (1 set / 4 pcs.)

4 Stacking adapter extension
89 mm
109679 (1 set / 4 pcs.)

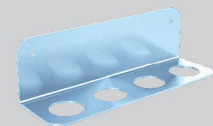
5 Stacking adapter extension
127 mm
109680 (1 set / 4 pcs.)



Wheel lifting device
(1 set / 4 pcs.)
GA550
ø wheel 670 - 770 mm
114155



pushAdapter
ø 50 mm (1 set / 4 pcs.)
can only be used together
with a top connector
Swing Easy
1112530 1112703



Bracket for stacking-
adapter extension
111578