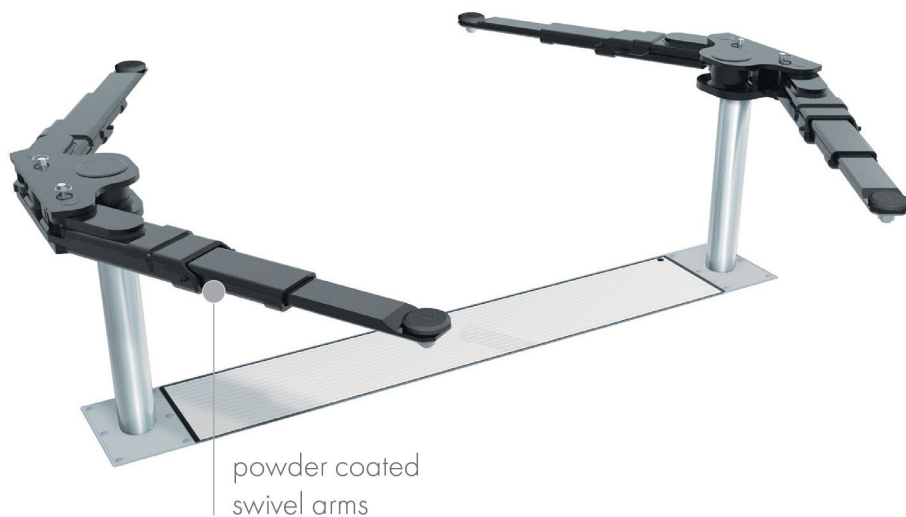
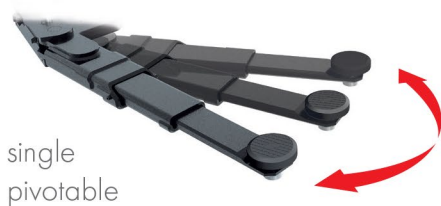
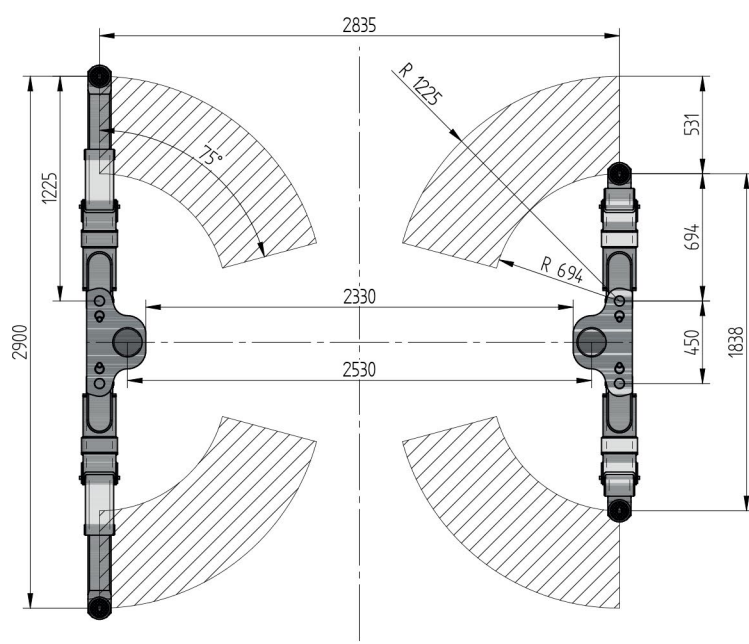


SURFACE MOUNTED



SWINGARM 2.35-2530 RS

reinforced swivel arm for wheel lifting device



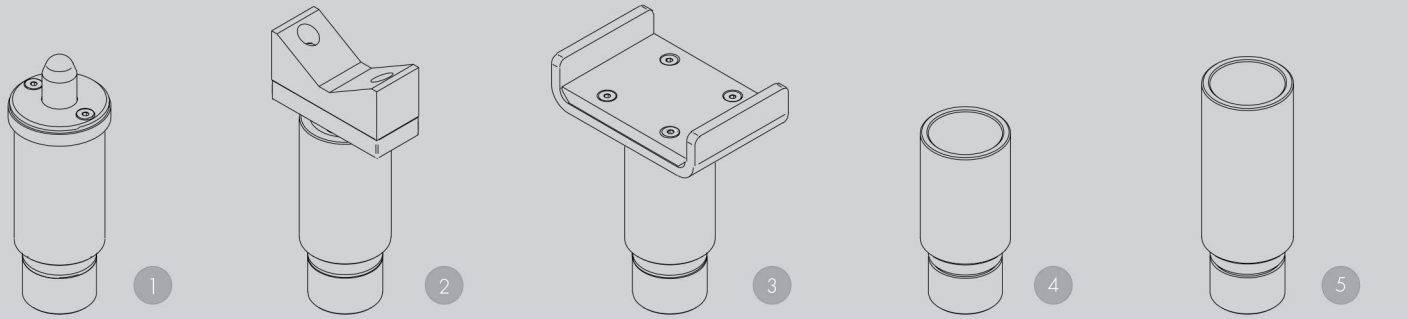
TECHNICAL DATA

Capacity	3500 kg
Effective raise height	2048 mm
Move in height	90 mm
Piston diameter	123 mm
Piston distance	2530 mm
Installation depth	2408 mm
Motor output	3,0 kW
Power connector	400 V/16 A
Cable length to control	11 m
Lifting time	≈ 35 sec.
Lowering time	≈ 35 sec.

Support Swingarm 2.35	113798
Support Swingarm 2.35 reinforced	113780
Installation cassette STEEL 2285 mm	2330XX
Installation cassette STEEL 2285 mm galvanized	2331XX
Lifting unit oil 3,5 t 2285 mm - K pre-assembled in installation cassette	111348
Lifting unit oil 3,5 t 2285 mm - H packed in wooden box	111349



ACCESSORIES



1 Stacking adapter NCV3
d 50 x d 70 / 115-215 mm
112100 (1 set / 2 pcs.)

2 Stacking adapter V-prism
d 50 / 87-130 mm
109683 (1 set / 2 pcs.)

3 Stacking adapter U-form
d 50
110397 (1 set / 4 pcs.)

4 Stacking adapter extension
89 mm
109679 (1 set / 4 pcs.)

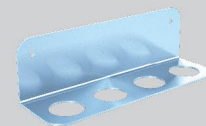
5 Stacking adapter extension
127 mm
109680 (1 set / 4 pcs.)



Wheel lifting device
(1 set / 4 pcs.)
GA550
ø wheel 670 - 770 mm
114155



pushAdapter
ø 50 mm (1 set / 4 pcs.)
can only be used together
with a top connector
Swing Easy
1112530 1112703



Bracket for stacking-
adapter extension
111578