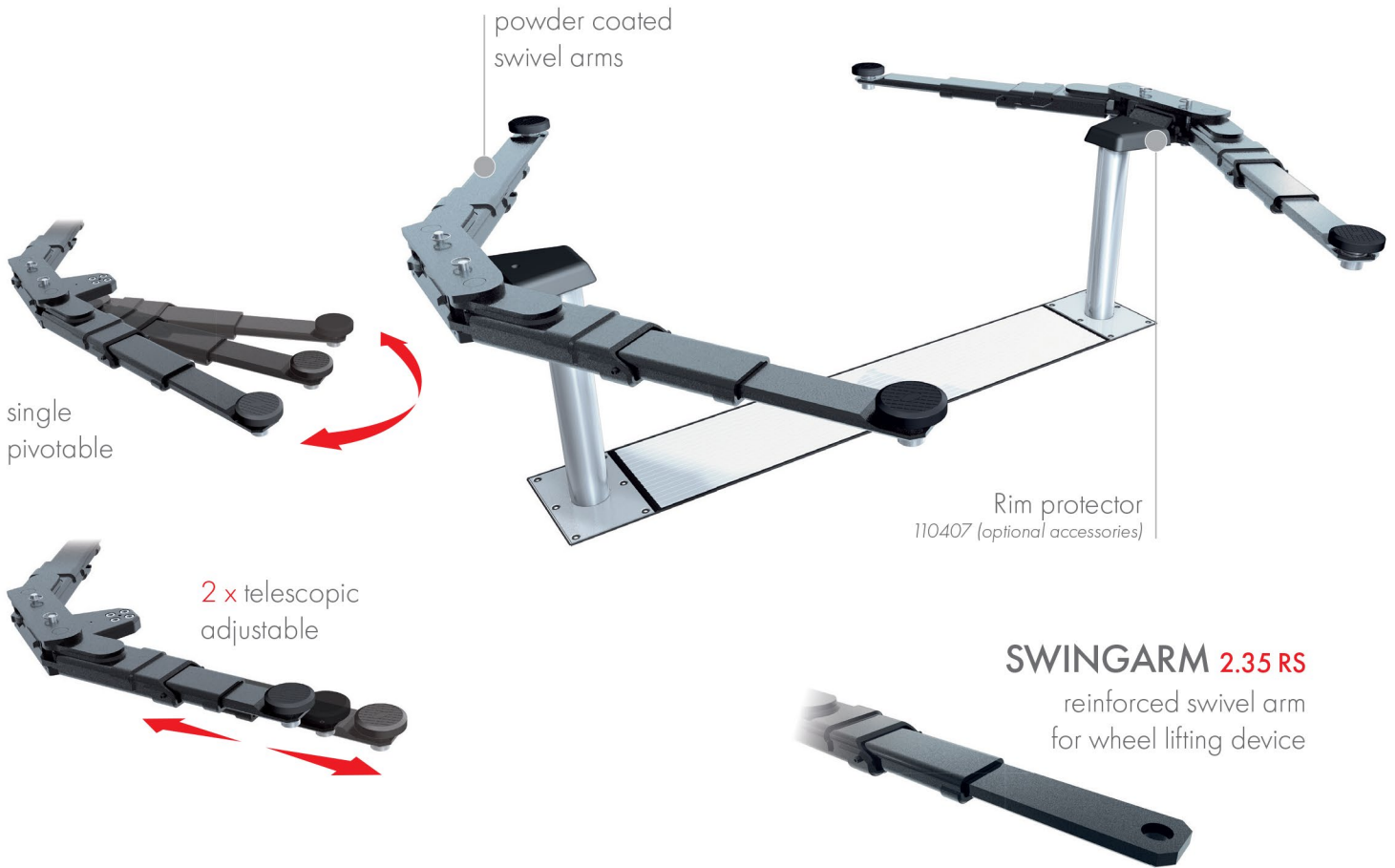
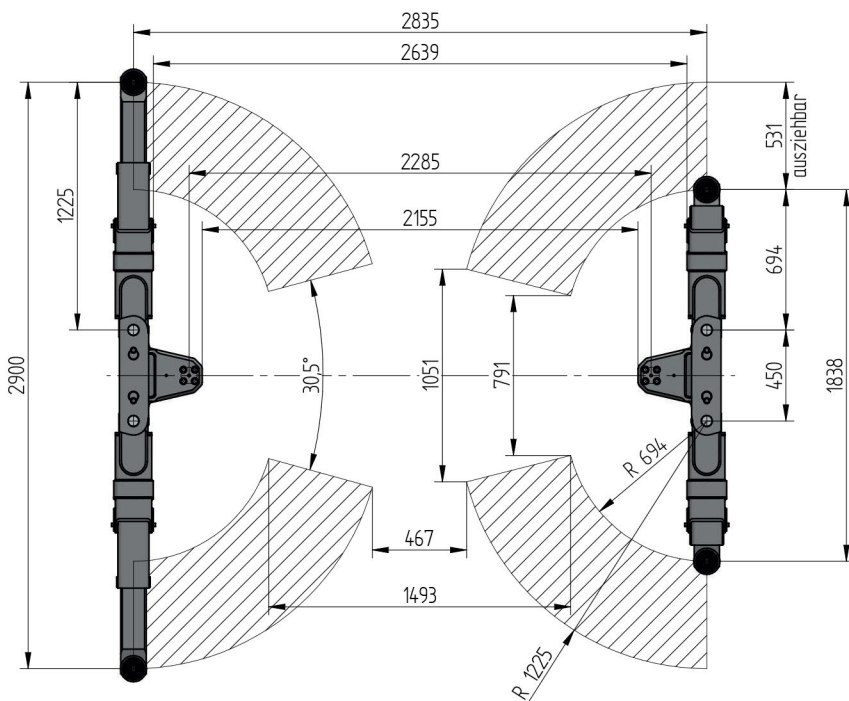


SURFACE MOUNTED



SWINGARM 2.35 RS

reinforced swivel arm
for wheel lifting device



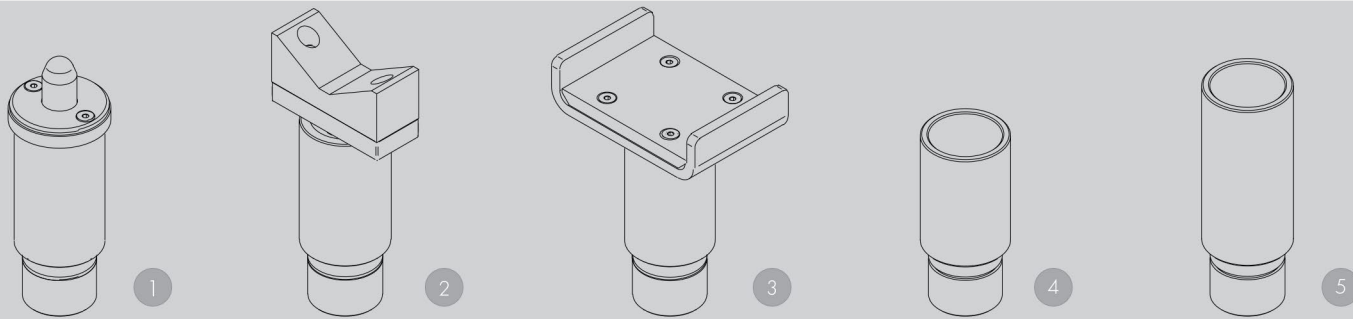
TECHNICAL DATA

Capacity	3500 kg
Effective raise height	2048 mm
Move in height	95/112 mm
Piston diameter	123 mm
Piston distance	2285 mm
Installation depth	2408 mm
Motor output	3,0 kW
Power connector	400 V/16 A
Cable length to control	11 m
Lifting time	≈ 35 sec.
Lowering time	≈ 35 sec.

Support Swingarm 2.35	109229
Support Swingarm 2.35 reinforced	111590
Installation cassette STEEL 2285 mm	2320XX
Installation cassette STEEL 2285 mm galvanized	2321XX
Lifting unit oil 3,5 t 2285 mm - K pre-assembled in installation cassette	109966
Lifting unit oil 3,5 t 2285 mm - H packed in wooden box	109978



ACCESSORIES



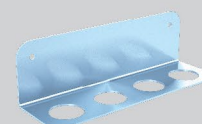
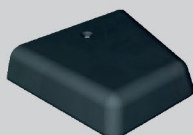
1 Stacking adapter NCV3
d 50 x d 70 / 115-215 mm
112100 (1 set / 2 pcs.)

3 Stacking adapter U-form
d 50
110397 (1 set / 4 pcs.)

5 Stacking adapter extension
127 mm
109680 (1 set / 4 pcs.)

2 Stacking adapter V-prism
d 50 / 87-130 mm
109683 (1 set / 2 pcs.)

4 Stacking adapter extension
89 mm
109679 (1 set / 4 pcs.)

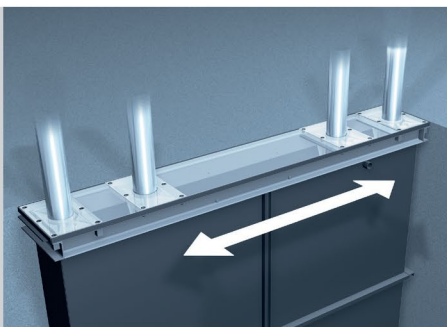


Wheel lifting device
(1 set / 4 pcs.)
GA550
ø wheel 670 - 770 mm
114155

Rim protector
110407 (1 Set / 2 pcs.)

pushAdapter
ø 50 mm (1 set / 4 pcs.)
can only be used together
with a top connector
Swing Easy
1112530 1112703

Bracket for stacking-
adapter extension
111578



Future Proof Installation cassette
Drilling pattern 2530 / 2285 / 1785 / 1500
Steel 2530 mm Steel galvanized 2530 mm
2530XX 2531XX

Cover kit for Future Proof
Installation cassette
111315