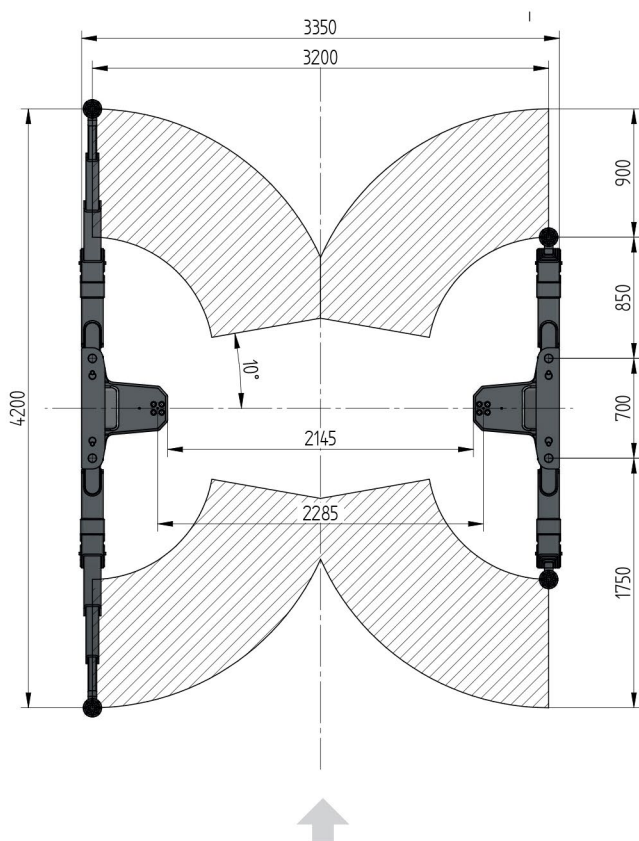
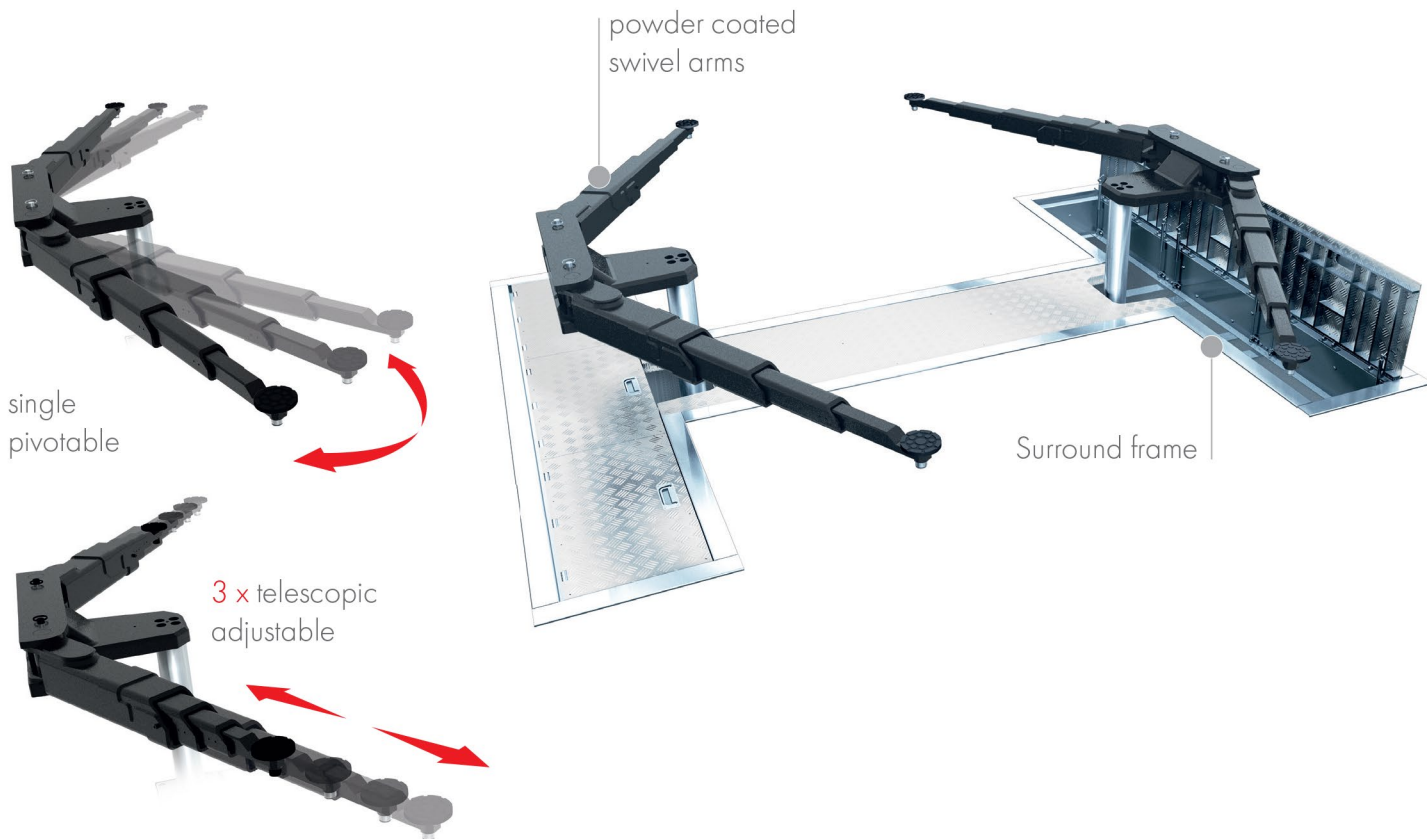


# TTECHNIQUE SWINGARM 2.50

FLUSH MOUNTED

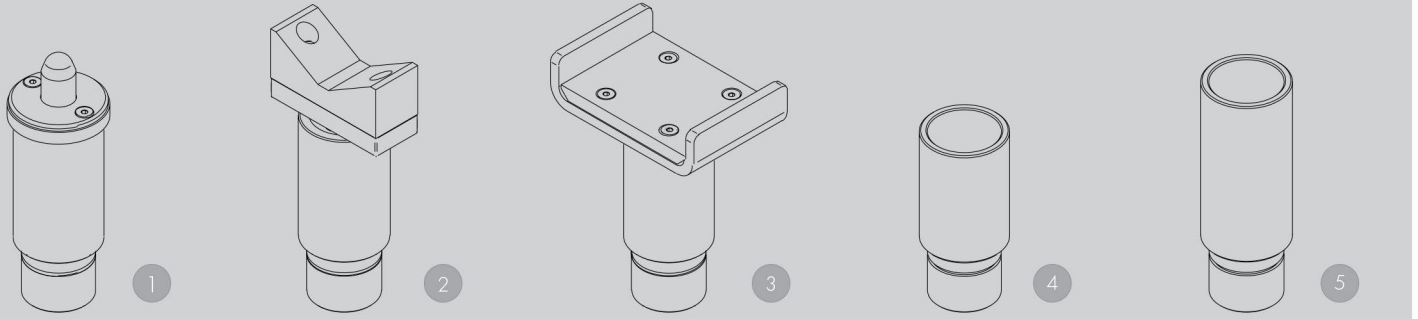


## TECHNICAL DATA

Capacity	5000 kg
Move in height	120 mm
Piston diameter	123 mm
Piston distance	2285 mm
Motor output	3,0 kW
Power connector	400 V/16 A
Cable length to control	11 m
Lifting time	≈ 35 sec.
Lowering time	≈ 35 sec.

Support Swingarm 2.50	112113
Installation cassette STEEL 2285 mm	2020XX
Installation cassette STEEL 2285 mm galvanized	2021XX
Lifting unit oil 5,0 t 2285 mm - K pre-assembled in installation cassette	111627
Lifting unit oil 5,0 t 2285 mm - H packed in wooden box	111628
Surround frame Swingarm 2285	111676

## ACCESSORIES



**1** Stacking adapter NCV3  
d 50 x d 70 / 115-215 mm  
112100 (1 set / 2 pcs.)

**2** Stacking adapter V-prism  
d 50 / 87-130 mm  
109683 (1 set / 2 pcs.)

**3** Stacking adapter U-form  
d 50  
110397 (1 set / 4 pcs.)

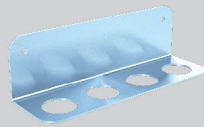
**4** Stacking adapter extension  
89 mm  
109679 (1 set / 4 pcs.)

**5** Stacking adapter extension  
127 mm  
109680 (1 set / 4 pcs.)



pushAdapter  
ø 50 mm (1 set / 4 pcs.)  
can only be used together  
with a top connector

Easy  
1112703



Bracket for stacking-  
adapter extension  
111578